

FIG.1

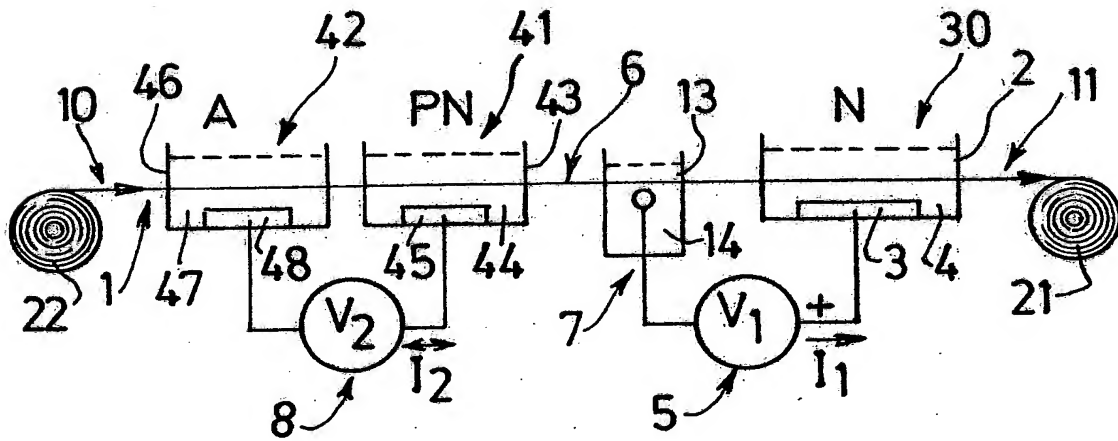


FIG.2

RECEIVED 1958 OCT 13

2/3

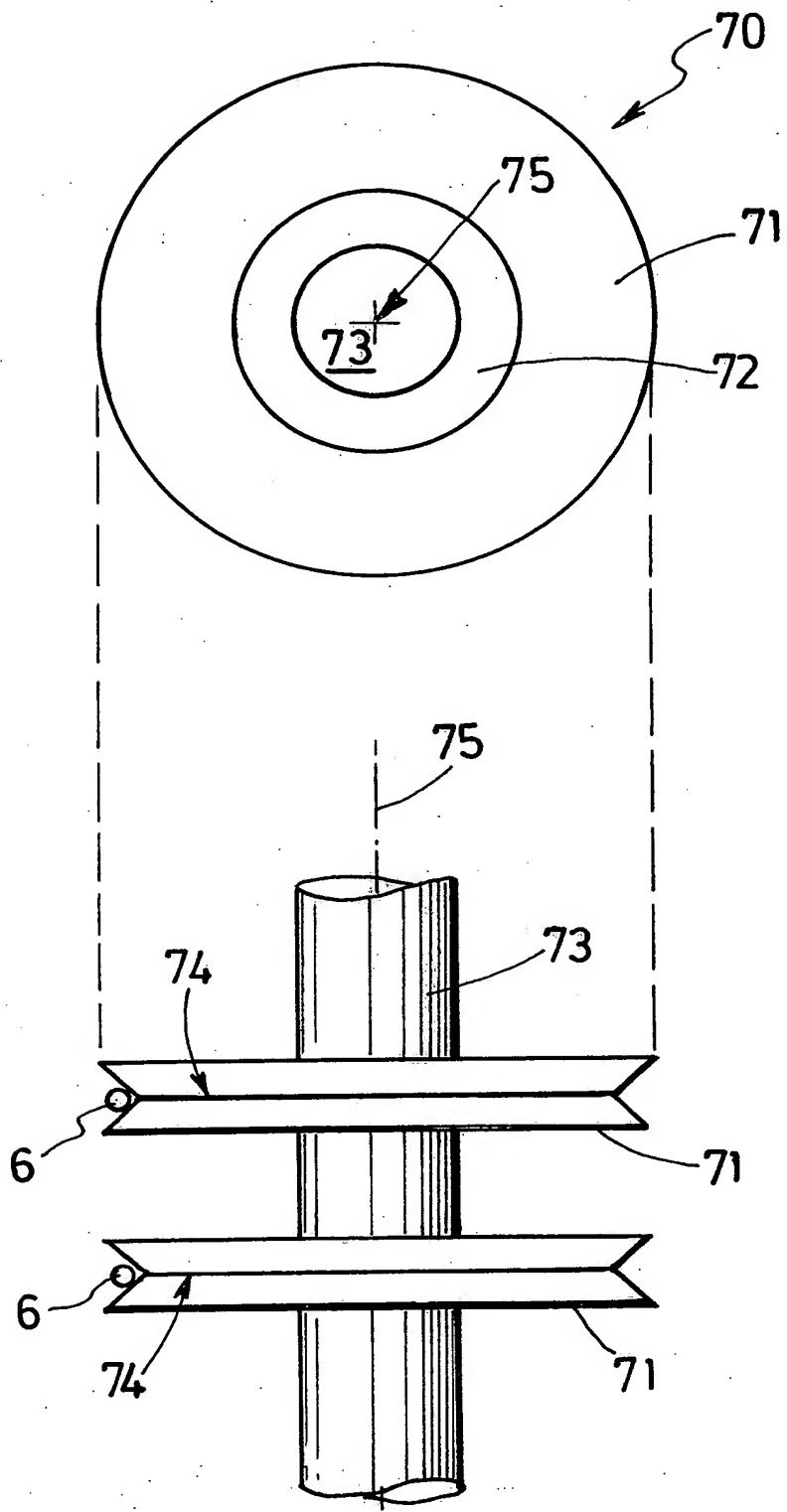


FIG.3

20050896-011802

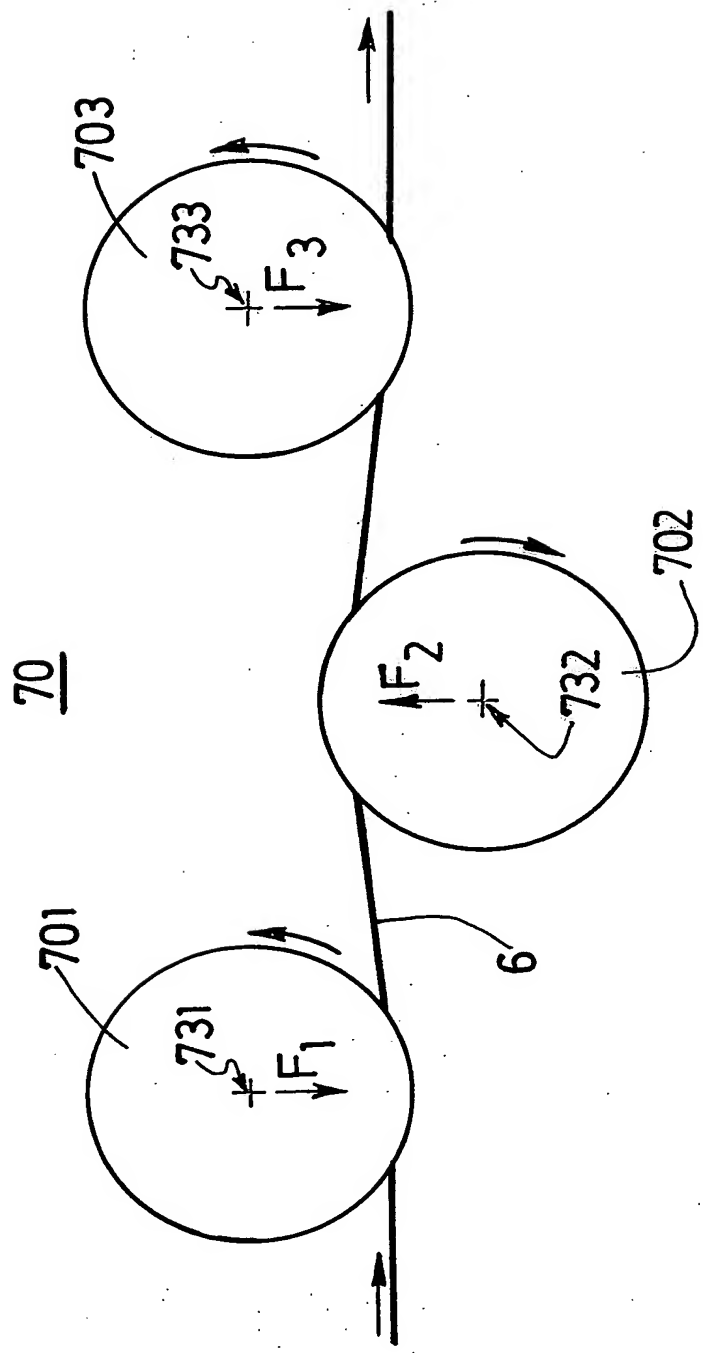


FIG.4